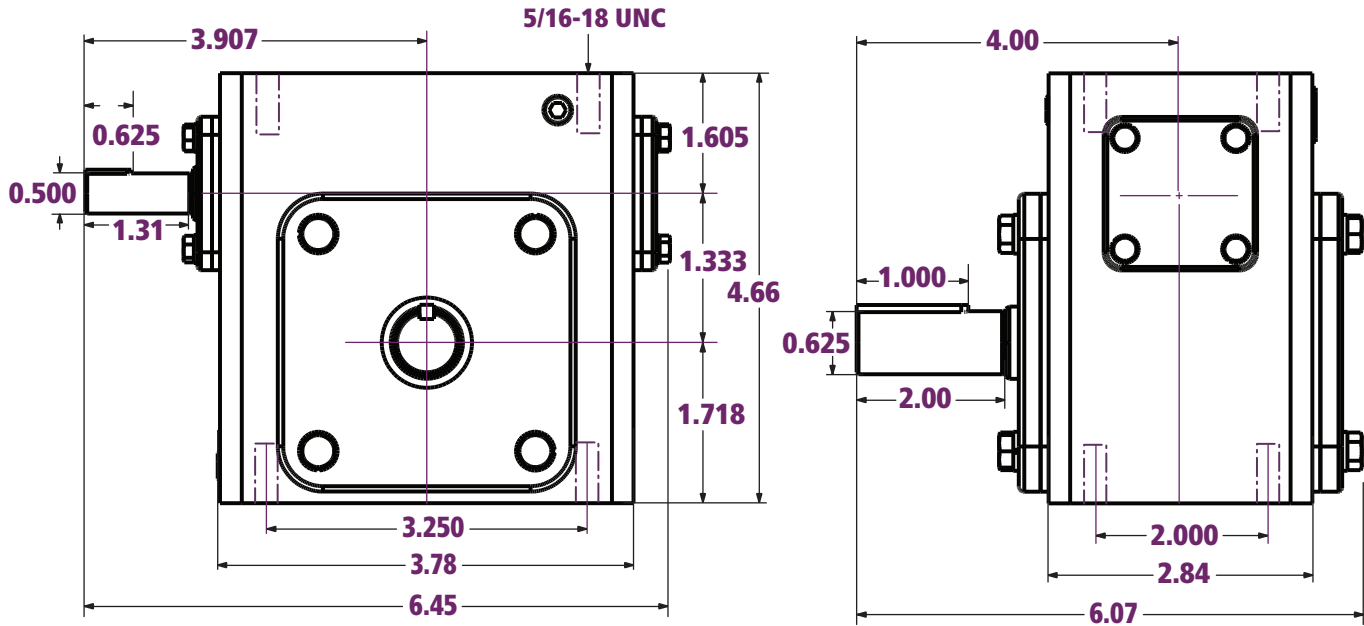




XS133 Dimensions

All dimensions listed in inches



Output and Input Shafts (in)

Output Keyway (in)	Output Shaft Dia. (in)	Input Keyway (in)	Input Shaft Dia. (in)
3/16 x 3/32	0.625	1/8 x 1/16	0.500

Specifications

Center Distance	Weight (lbs)	Est. Oil Fill Amount* (oz)
1.333	12.1 [13.2 [†]]	4.7

*For Position 1.

[†]Approximate weight for LR Handling.

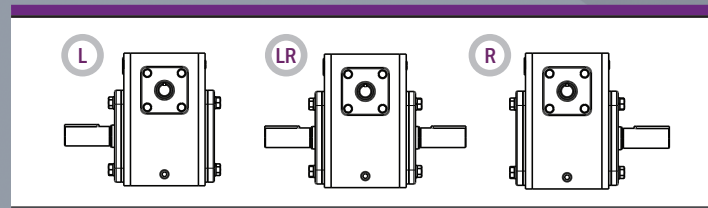
Ratios

Nominal Ratios	Exact Ratios
5:1	5.5:1
10:1	10.3:1
15:1	15.5:1
20:1	19.5:1
30:1	30.0:1
40:1	40.0:1
50:1	50.0:1
60:1	60.0:1

Efficiency

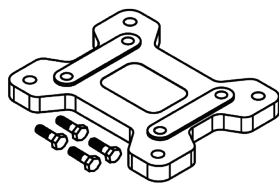
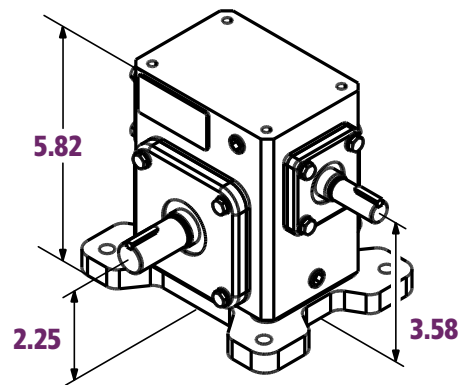
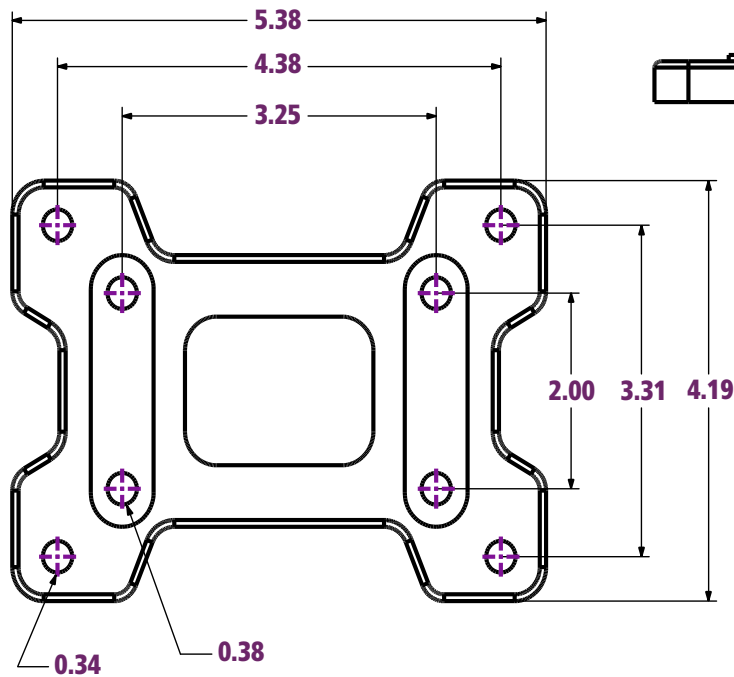
Nominal Ratios	Efficiency (%)
5:1	≈ 91
10:1	≈ 86
15:1	≈ 80
20:1	≈ 78
30:1	≈ 66
40:1	≈ 65
50:1	≈ 59
60:1	≈ 53

Handling Types



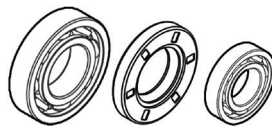
XS133 Accessories

and X133 Base Kit Dimensions



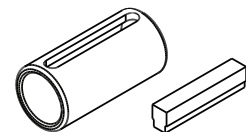
Foot Mounted Base Kit

XBK133



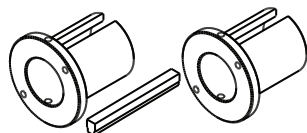
Component Repair Kit

XSRK133



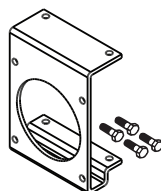
Input Quill Adapter Option

Not Applicable



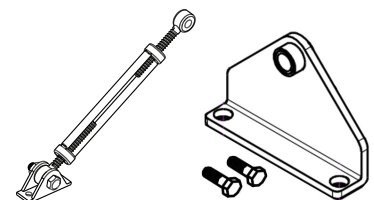
Output Bushing Kits*

Not Applicable



Output Bracket Kit*

XOB133



Torque Arm Kit*

XTA133

*Made to order.